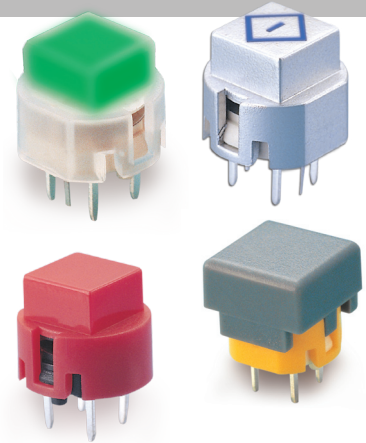


» Features

- A short stroke, light tact feeling and long life switch with a button.
- There are five colors and four shapes available for users' selection. Many & Colorful Accessories Color buttons , color mounting frames, LED lights are available.
- Various symbols can be engraved on the cap.
- Any customization for cap & symbol is welcomed.



» Applications

- Suitable for use in digital circuits of any electronic devices as reset switches, etc.

» Specifications

Rating	10mA 35VDC
Insulation Resistance	100MΩ Min(at 250 VDC)
Dielectric Strength	AC 250V (50/60 Hz for 1 minute)
Contact Resistance	30mΩ Max. (Initial)
Electrically Life	V:130gf 100,000 Cycles Min
	M:250gf 30,000 Cycles Min
Ambient Temperature	-20°C~ +60°C
Operating Force	V: 130 ± 50gf
	M: 250 ± 50gf
Travel	1.0 ± 0.2 mm

» LED Specifications

Color	VR	IF	Recommended Operating Current	VF	
				Nom	Max
Red	DC 5V	20mA	20mA	1.7V	2.4V
Green	DC 5V	20mA	20mA	1.9V	2.4V
Yellow	DC 5V	20mA	20mA	1.9V	2.4V
Blue	DC 5V	20mA	20mA	3.0V	3.6V
White	DC 5V	20mA	20mA	3.0V	3.6V

For the specification about the other LEDs, please contact with sales department

» Product selection

KS01-

BUTTON TYPE		OPERATING FORCE		LED BRIGHTNESS		LASER ETCHING	
A		V	130 ± 50gf	-	Standard	01	
B		M	250 ± 50gf	C	High Brightness	02	
C		BUTTON COLOR		LED COLOR		03	OK
D		-	LED	1	Red	04	
F		R	Red	2	Yellow	05	
AL		Y	Yellow	3	Green	06	
BL		G	Green	4	Blue	07	
EL		B	Blue	5	White	08	
EL1		W	White	6	Pure Green	09	
		BK	Black	7	Amber	10	
				8	Blue Green		
				9	Pink		
				10	Purple		
				011	Red/Yellow		
				12	Red/Green		
				13	Red/Blue		
				14	Yellow/Green		
				23	Blue/Amber		
				48	White/Yellow		
				52	White/Amber		
				58	Non-LED		
				-			
				CAP COLOR			
				1	Misty Silver		
				2	Bright Silver		
				3	Gold		
				4	White		
				5	Bright Black		
				6	Red		
				7	Misty Black		
				8	Sky blue		
				9	Gunme black		
				A	Orange		

Please inquire about the details with our sales representative.

KS01 SERIES

TACT SWITCHES

ILLUMINATED

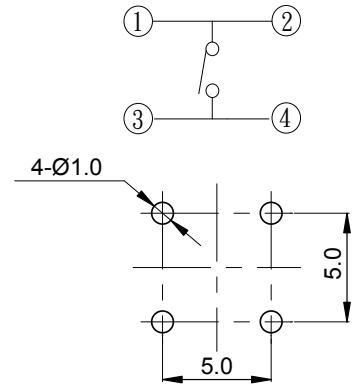
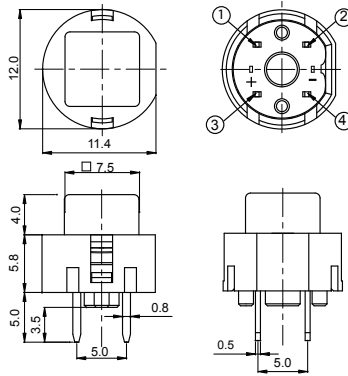
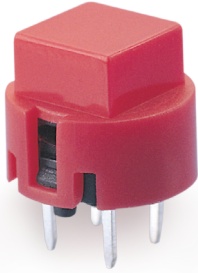
» Operating characteristics

Unit: mm

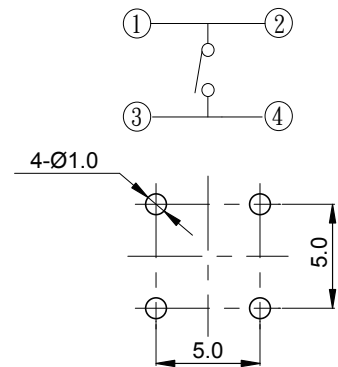
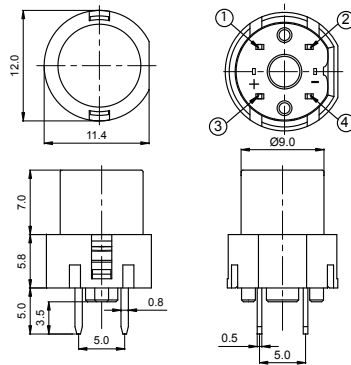
Dimensions

P.C.B Layout

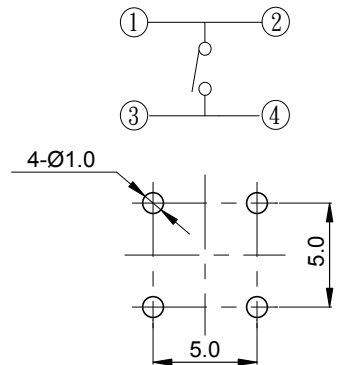
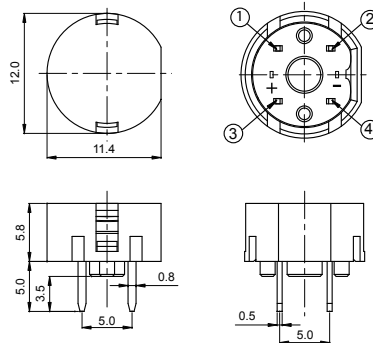
KS01-A



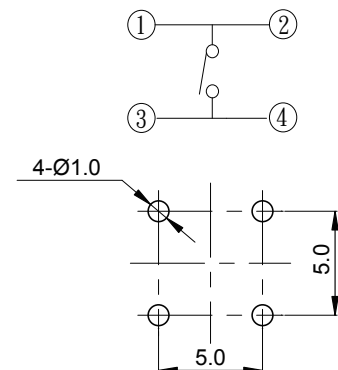
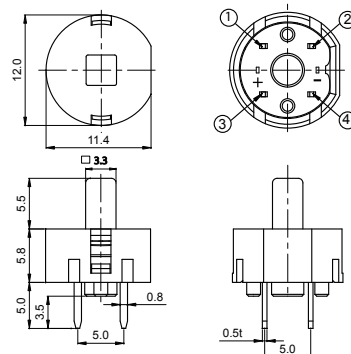
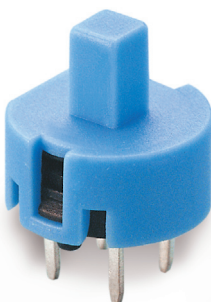
KS01-B



KS01-C



KS01-D



KS01 SERIES

ILLUMINATED

TACT SWITCHES

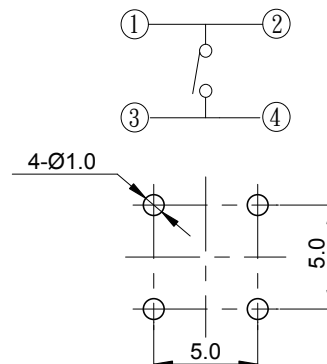
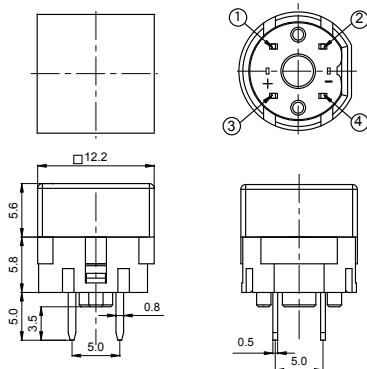
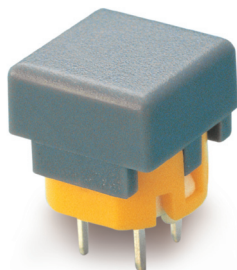
» Operating characteristics

Unit: mm

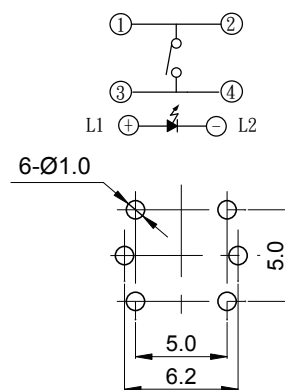
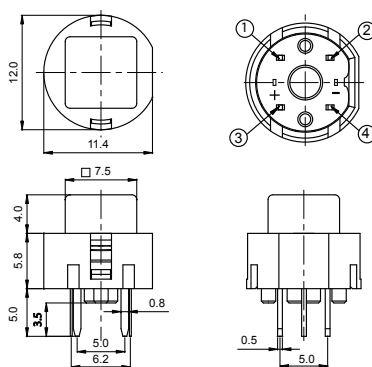
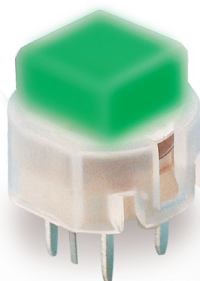
Dimensions

P.C.B Layout

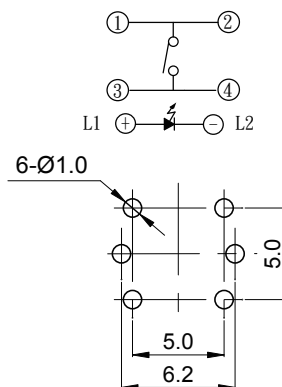
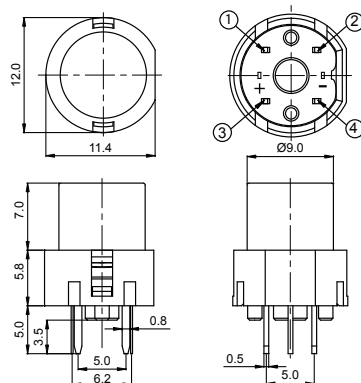
KS01-F



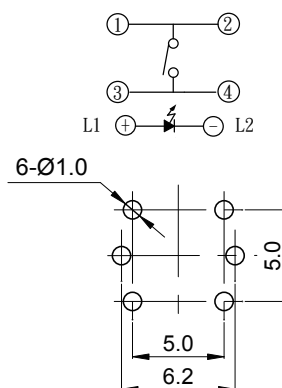
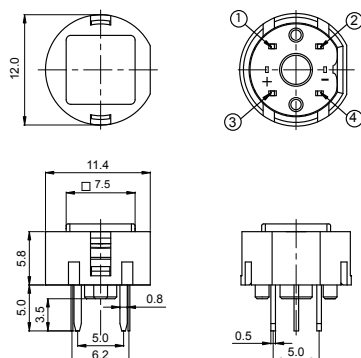
KS01-AL



KS01-BL



KS01-EL



» Operating characteristics

Unit: mm

Dimensions

P.C.B Layout

KS01-EL1

