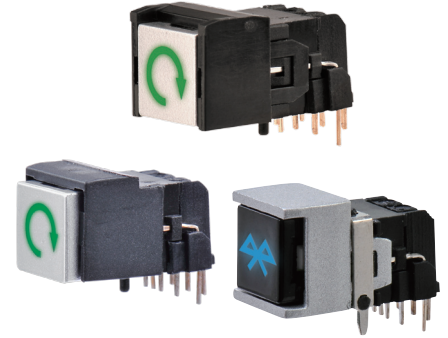


» **Features**

- Contact Reliability Clip type contacts are applied to ensure high reliability.
- By a particular terminal shape, the switch tightly when solder-dipped.
- Protection from Flux Entry Terminals are all completely sealed by epoxy.
- Many LED lights are available.
- Right Angle type and the PBC board become 90 degrees when soldered.



» **Applications**

- Operating switches in all types of electronic equipment such as audio apparatus, office equipment, communications apparatus, TV sets, VCRs, etc.

» **Specifications**

Rating	0.1A 30VDC
Insulation Resistance	100MΩ Min (at 500 VDC)
Dielectric Strength	AC 500V (50/60 Hz for 1 minute)
Contact Resistance	50mΩ Max. (Initial)
Electrically Life	10,000 Cycles Min
Ambient Temperature	-10°C~ +80°C
Operating Force	150 ± 100gf (Momentary)
	250 ± 100gf (Alternate)
	200 ± 100gf (Momentary With Click)

» **LED Specifications**

Color	VR	IF	Recommended Operating Current	VF	
				Nom	Max
Red	DC 5V	20mA	20mA	1.7V	2.4V
Green	DC 5V	20mA	20mA	1.9V	2.4V
Yellow	DC 5V	20mA	20mA	1.9V	2.4V
Blue	DC 5V	20mA	20mA	3.0V	3.6V
White	DC 5V	20mA	20mA	3.0V	3.6V

For the specification about the other LEDs, please contact with sales department

» **Product selection**

PB 613

RF

-

-

-

-

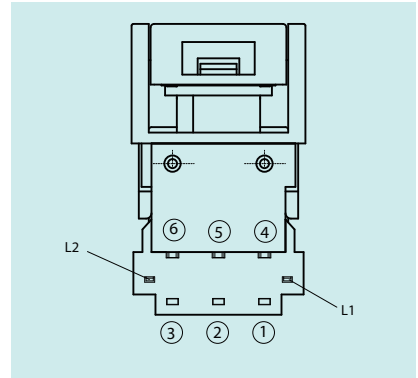
BUTTON TYPE		FUNCTION		LED		LED BRIGHTNESS		SUPPORT PIN		LASER ETCHING	
1		A	Alternate	-	Non-LED	_	Standard	-	Without	01	
2		B	Momentary	L	LED	C	High Brightness	WS		02	
3		C	Momentary with click					WK		03	OK
4										04	
5										05	
6										06	
01										07	
02										08	
03										09	
04										10	
05										Please inquire about the deals with our sales representative.	
07											

FRAME		LED COLOR	
I		1	Red
I2		2	Yellow
G		3	Green
J		4	Blue
		5	White
		6	Pure Green
		8	Amber
		9	Blue Green
		10	Pink
		011	Purple
		12	Red/Yellow
		13	Red/Green
		14	Red/Blue
		23	Yellow/Green
		48	Blue/Amber
		52	White/Yellow
		58	White/Amber
		-	Non-LED

CAP COLOR	
1	Misty Silver
2	Bright Silver
3	Gold
4	White
5	Bight Black
6	Red
7	Misty Black
8	Sky blue
9	Gunme black
A	Orange

» **Circuit**

Type	Switch Action		
PB613 ARF	Normal ON	Push to lock ON	
Connecting Terminal	1 - 2 4 - 5	2 - 3 5 - 6	
PB613 BRF	Normal ON	Push (ON)	
Connecting Terminal	1 - 2 4 - 5	2 - 3 5 - 6	
LED Circuit			



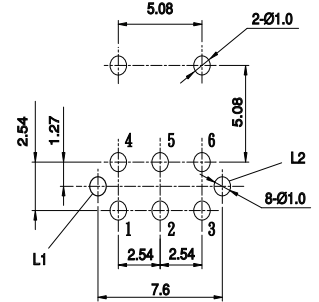
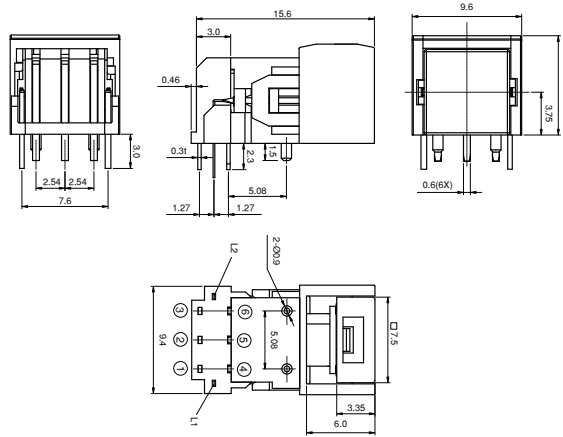
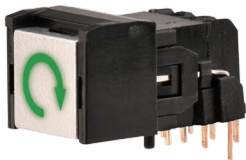
» **Operating characteristics**

Unit: mm

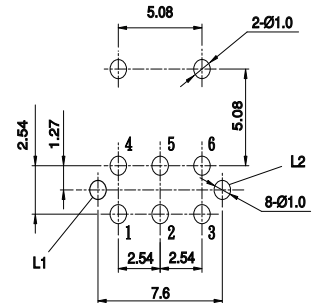
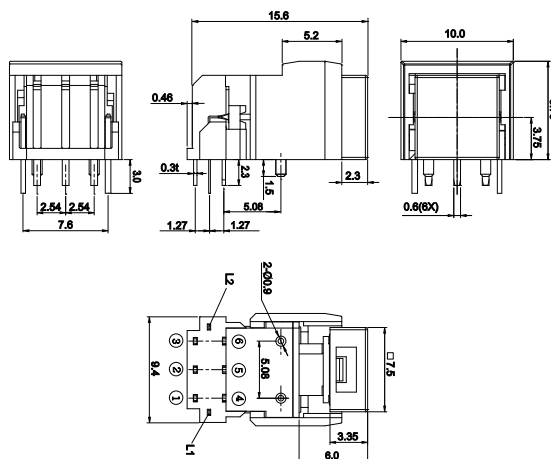
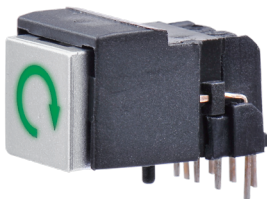
Dimensions

P.C.B Layout

PB6131 □ RFIL-3-177



PB6131 □ RFI2L-3-177



PB 613 SERIES PUSH SWITCHES

ILLUMINATED

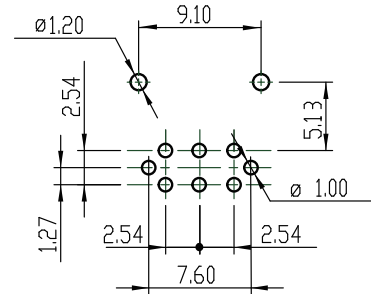
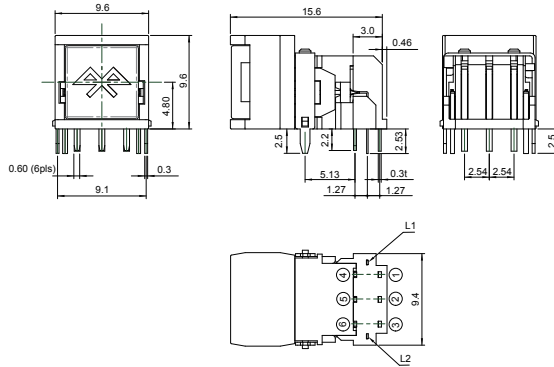
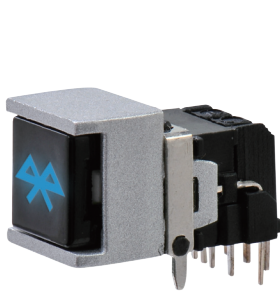
» Operating characteristics

Unit: mm

Dimensions

P.C.B Layout

PB6131 RFJL-4-WS-5195



PB6131 RFGL-4-WS-5238

