

SPECIFICATION

Electrical Rating : 10A 250VAC/125VAC(UL)
 10(4)A 250VAC(VDE,ENEC)
 Mechanical life: Over 30000 cycles
 Electrical life: Over 10000 cycles
 Contact resistance: <20mΩ(Initial)
 Insulation resistance: >1000MΩ
 High voltage resistance: >1500V 1 min.
 Ambient temperature: Terminal side -20 to +85°C
 Actuating side -20 to +55°C
 Storage temperature: -30 to +85°C
 Atmospheric humidity: Max.85%
 Actuating force: 3 ~8N(Depends on different switch function)
 Flammability: UL94 V-2
 Temperature rise at the terminal: Max 30°C (UL1054)
 Solder ability of terminal: Max 350°C, 3s

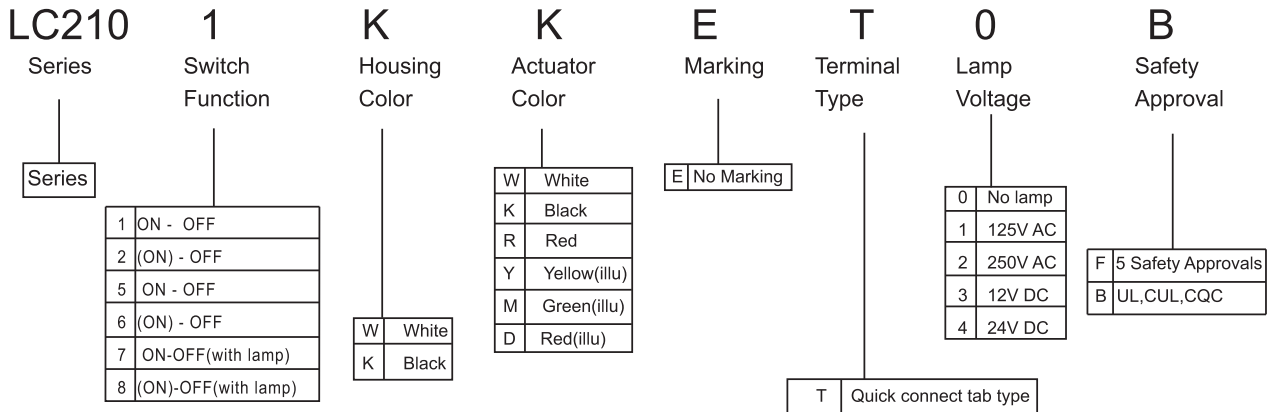


MATERIALS

Housing: PA66
 Rocker: PC/PA66
 Contacts: Silver alloy
 Terminal: Brass silver plated
 Spring: SWC
 Movable Arm: C2680
 Bracket: PA66





HOW TO ORDER

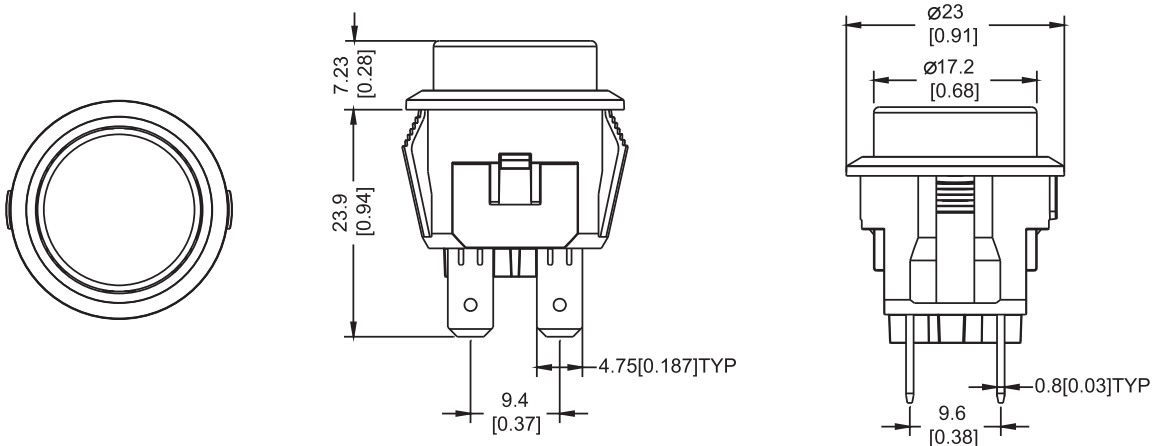


LC210

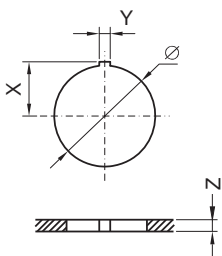
OPTIONS OF SWITCH FUNCTION

| Item No | POLES & THROWS | Down | Center | Up |
|---------|-----------------|---|--------|---|
| | |  | •• |  |
| LC2101 | SPST | ON | None | OFF |
| LC2102 | SPST | (ON) | None | OFF |
| LC2105 | DPST | ON | None | OFF |
| LC2106 | DPST | (ON) | None | OFF |
| LC2107 | DPST(with lamp) | ON | None | OFF |
| LC2108 | DPST(with lamp) | (ON) | None | OFF |

DIMENSION



PANEL CUT OUT



| PANEL CUT OUT | | | |
|---------------|---|----|-------|
| Z | Y | X | Ø |
| 0.7~1.25 | 2 | 11 | Ø20.5 |
| 1.25~2.0 | 2 | 11 | Ø20.5 |
| 2.0~3.0 | 2 | 11 | Ø20.5 |

CIRCUITS FOR SWITCH WITH LAMP

