

SPECIFICATIONS

CONTACT RATING: 1A 125VAC.

ELECTRICAL LIFE: 30,000 make-and-break cycle at full load.

CONTACT RESISTANCE: 20mΩ max, initial @ 2-4VDC, 100mA for both coin silver and gold plated contacts.

INSULATION RESISTANCE: 100MΩ min.

DIELECTRIC STRENGTH: 1500 V RMS @ sea level.

OPERATING TEMPERATURE: -30°C to 85°C.

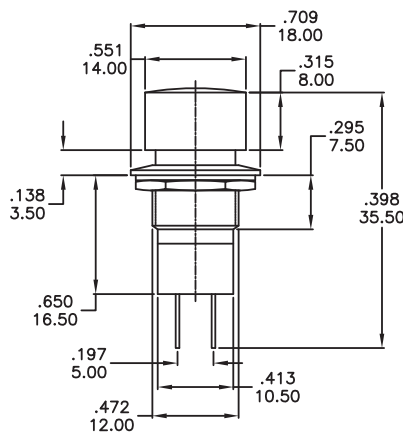
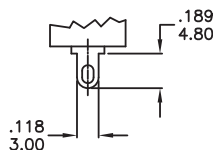
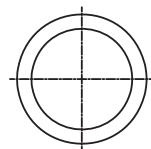
CIRCUIT: S.P.S.T.

HOW TO ORDER

Model No.	Cap Color
	
PS21A	OFF-ON
PS21B	OFF-(ON) 1 (White)
PS21C	ON-(OFF) 2 (Black)
PS23A	OFF-ON 3 (Red Std.)
PS23B	OFF-(ON) 4 (Orange)
PS23C	ON-(OFF) 5 (Yellow)
PS24A	OFF-ON 6 (Green)
PS24B	OFF-(ON) 7 (Blue)
PS25A	OFF-ON 8 (Brown)
PS25B	OFF-(ON) 9 (Gray)
PS25C	ON-(OFF)
PS26A	OFF-ON
PS26B	OFF-(ON)
PS27A	OFF-(ON)
PS27B	ON-(OFF)
PS28A	OFF-(ON)
PS28B	OFF-(ON)
PS29A	OFF-(ON)
PS29B	ON-(OFF)
PS29C	OFF-ON
PS32A	OFF-ON
PS32B	OFF-(ON)



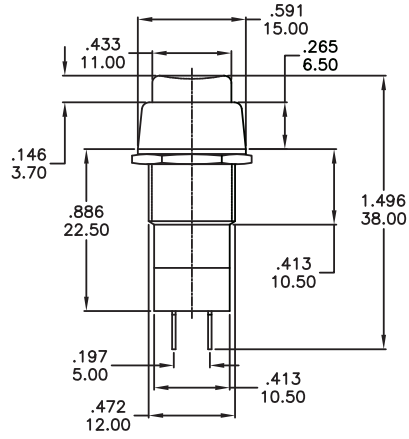
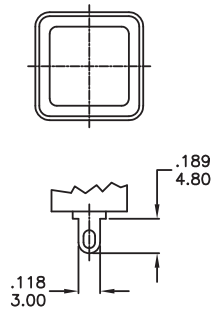
PS21



Model No.	TYPE
PS21A	OFF-ON (LOCK)
PS21B	OFF-(ON)
PS21C	ON-(OFF)



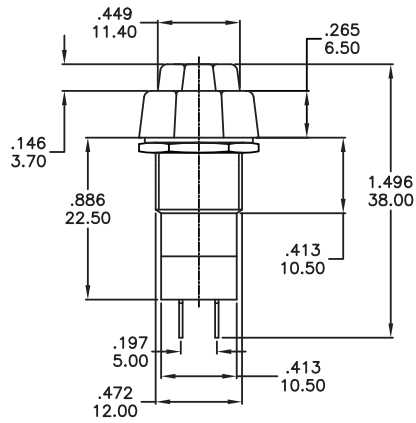
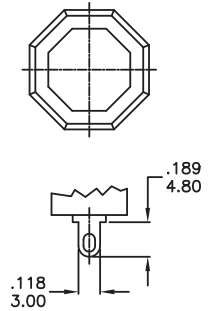
PS23



Model No.	TYPE
PS23A	OFF-ON (LOCK)
PS23B	OFF-(ON)
PS23C	ON-(OFF)



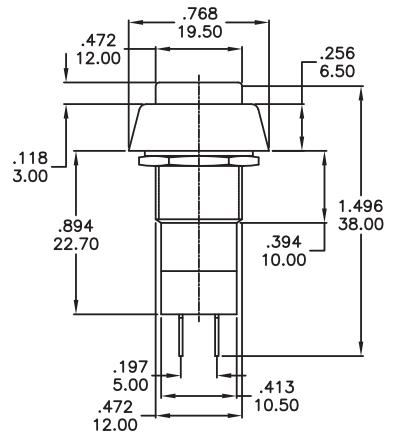
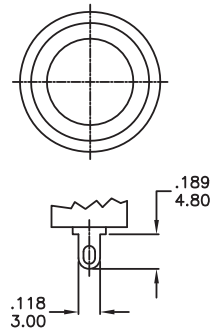
PS24



Model No.	TYPE
PS24A	OFF-ON (LOCK)
PS24B	OFF-(ON)



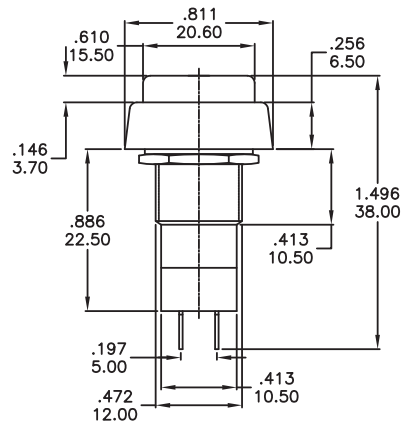
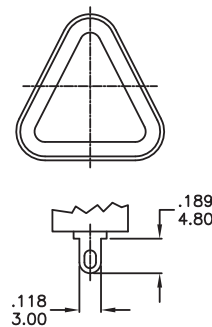
PS25



Model No.	TYPE
PS25A	OFF-ON (LOCK)
PS25B	OFF-(ON)
PS25C	ON-(OFF)



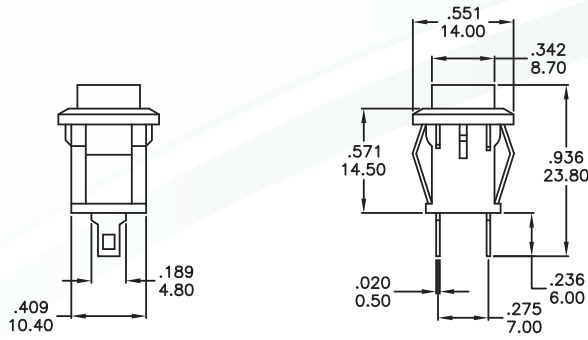
PS26



Model No.	TYPE
PS26A	OFF-ON (LOCK)
PS26B	OFF-(ON)



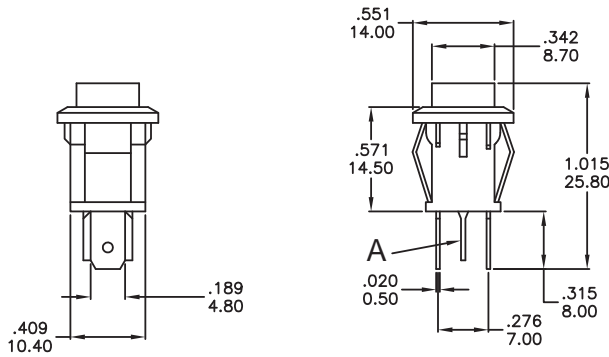
PS27



Model No.	TYPE
PS27A	OFF-(ON)
PS27B	ON-(OFF)



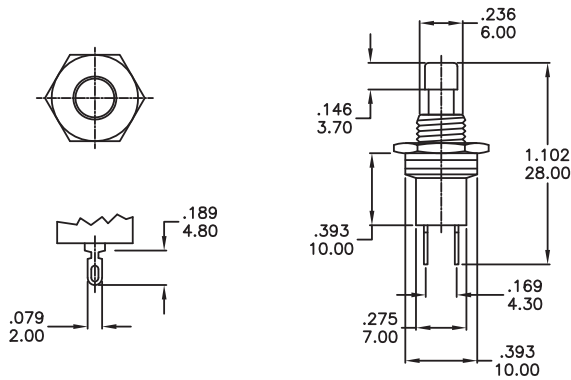
PS28



Model No.	TYPE	A
PS28A	OFF-(ON)	X
PS28B	OFF-(ON)	V



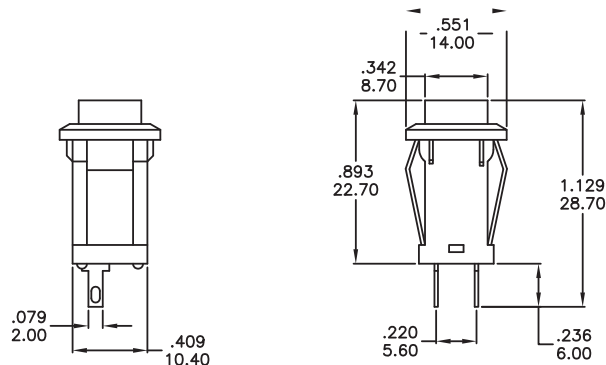
PS29



Model No.	TYPE
PS29A	OFF-(ON)
PS29B	ON-(OFF)
PS29C	OFF-NO (LOCK)



PS32



Model No.	TYPE
PS32A	OFF-ON (LOCK)
PS32B	OFF-(ON)



SPECIFICATIONS

RATING: 25mA @ 50VDC

ELECTRICAL LIFE: 10,000 cycles typical.

CONTACT RESISTANCE: 20 mΩ max. typical at 2-4VDC, 100mA

INSULATION RESISTANCE: 100 MΩ min.

DIELECTRIC STRENGTH: 500 V rms at sea level.

OPERATING FORCE: 250 ± 50gf

MATERIALS

HOUSING: Nylon 6/6.

COVER / CAP: ABS or polycarbonate.

DOME CONTACT: Gold over stainless steel.

TERMINALS / CONTACTS: Silver plated copper alloy.

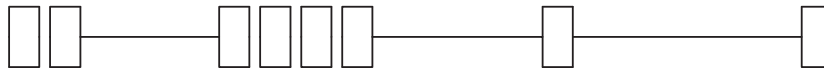
HOW TO ORDER

Model No.

Circuit

Cap Style

Cap Color



PS

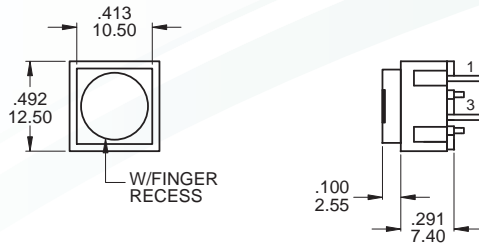
1012

A
B
C
D
E
F

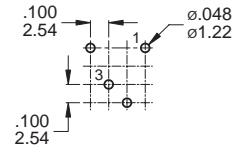
1 = White
2 = Black
3 = Red
4 = Orange
5 = Yellow
6 = Green
7 = Blue
8 = Brown
9 = Gray
0 = Purple



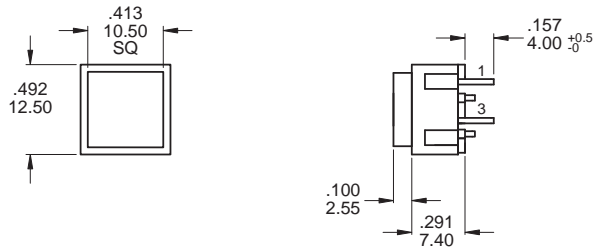
PS-1012-A3



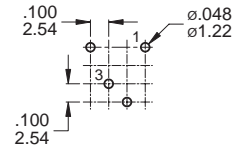
P.C. MOUNTING



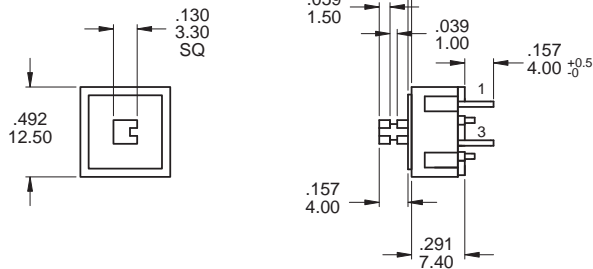
PS-1012-B2



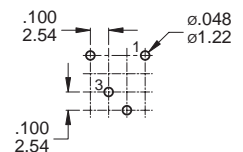
P.C. MOUNTING



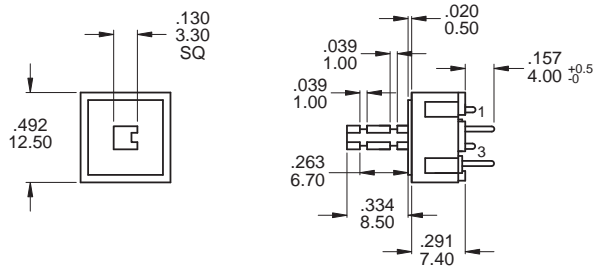
PS-1012-C2



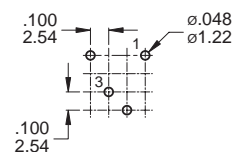
P.C. MOUNTING



PS-1012-D2

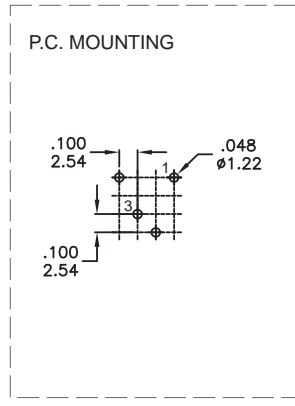
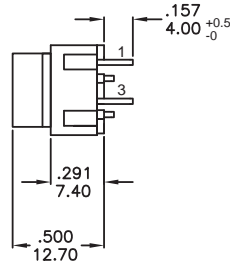
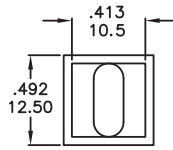


P.C. MOUNTING

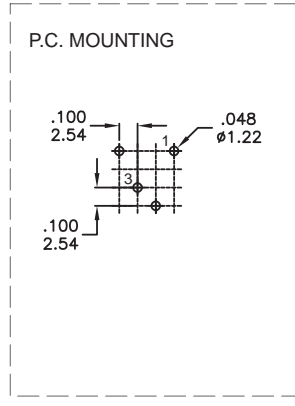
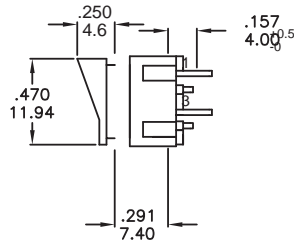
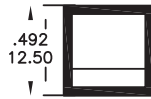




PS-1012-E3



PS-1012-F3

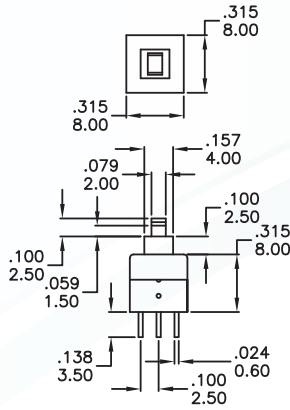


CAP OPTIONS

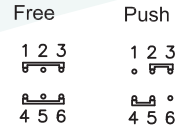
	<i>PS001</i>	<i>PS002</i>	<i>PS003</i>	<i>PS004</i>	<i>PS005</i>	<i>PS006</i>
COLORS	Black White Gray	Black / White Gray / Red Chrome	Black / Gray White / Red	Black / Gray	Black / White Gray / Red Chrome / Blue	Black / Gray White / Red



BS800



Model No.	Function
BS800N	OFF-MOM
BS800L	OFF-ON (LOCK)

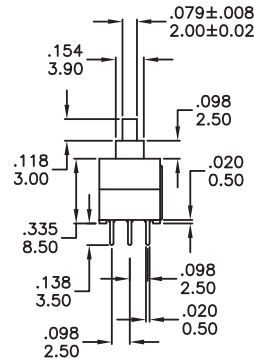
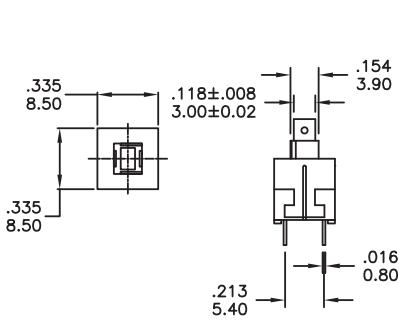


SPECIFICATION

1. Rating : DC 30V 0.1A
2. Circuit : 2C-2P
3. Timing : Non-shoreing or S-Shoreing
4. Operating Mode : Self Lock
Non-Lock
5. Travel : Full 2.5
Lock 1.5
6. Operating Force : 160 ±80gf



BS850

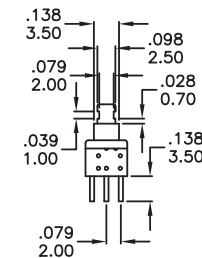
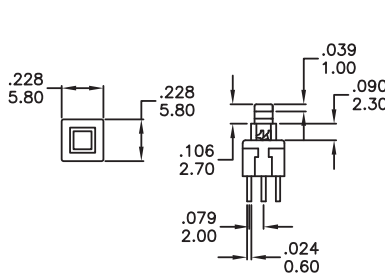


SPECIFICATION

1. Rating : DC 30V 0.3A
2. Circuit : 2C-2P
3. Timing : Non-shoreing or S-Shoreing
4. Operating Mode : Self Lock
Non-Lock
5. Travel : Full 2.5
Lock 1.5
6. Operating Force : 200 ± 80gf



PS580L

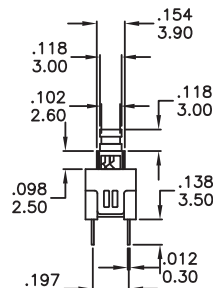
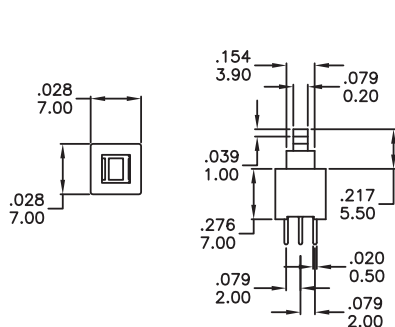


SPECIFICATION

1. Rating : DC 12V 0.1A
2. Circuit : 2C-2P
3. Timing : Non-shoreing or S-Shoreing
4. Terminal : p.c.board terminal
5. Operating Mode : Non-Lock
6. Travel : Lock 1.8
Lock 1.0
7. Operating Force : 150 ±80gf



PS701



SPECIFICATION

1. Rating : DC 30V 0.1A
2. Circuit : 2C-2P
3. Timing : Non-shoreing or S-Shoreing
4. Operating Mode : Self Lock
Non-Lock
5. Travel : Full 1.8
Lock 1
6. Operating Force : 150 ±80gf

LEAD - FREE SOLDERING CONDITION

ITEM	LEAD - FREE SOLDERING CONDITION
HAND SOLDERING	350°C±10°C /5 sec max.
WAVE SOLDERING	Pre - Heat 100°C/60 sec 260°C±5°C / 5 sec
REFLOW SOLDERING	

RoHS COMPLIANT

- The limit value that we declare.
 - Pb<100 ppm
 - Cd<75 ppm
 - Hg<2 ppm
 - Cr6<2 ppm
 - PBB<0 ppm
 - PBDE<0 ppm
- Start from jan 2005.