



## SPECIFICATIONS

**CIRCUIT:** SPST

**FUNCTION:** Momentary

**CONATE RATING:** 50 mA @ 12V DC.

**OPERATING FORCE:** 350 gf ±100gf.

**TOTAL TRAVEL:** 0.25mm ± 0.10mm

**MECHANICAL LIFE:** 100,000 make-and-break cycles.

**CONTACT RESISTANCE:** 100mΩ max. initial

**INSULATION RESISTANCE:** 100MΩ min.

**DIELECTRIC STRENGTH:** 250 V RMS @ sea level.

**OPERATING TEMPERATURE:** -25C to70C.

\* Washable

## MATERIALS

**CASE:** Glass filled Nylon 6/6(UL 94-V0).

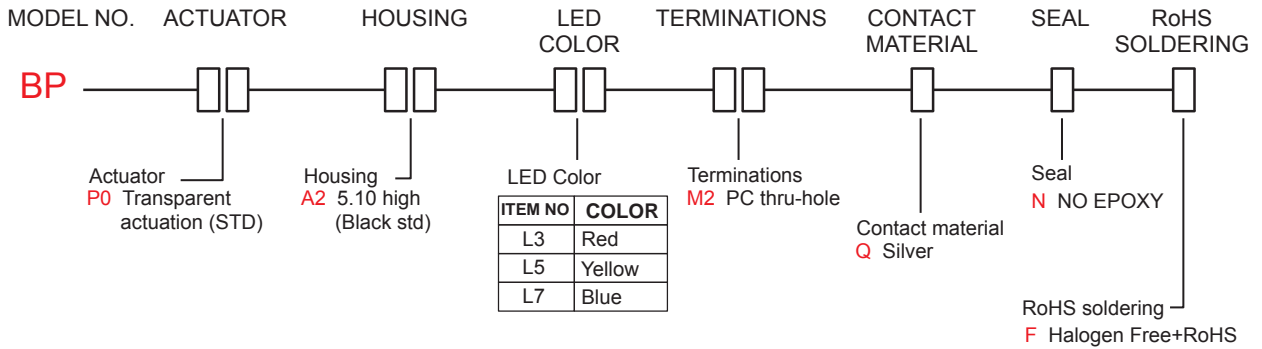
**HOUSING:** Glass filled Nylon 6/6(UL 94-V0).

**ACTUATOR:** PC.

**TERMINAL/CONTACT:** Brass,Silver plated.

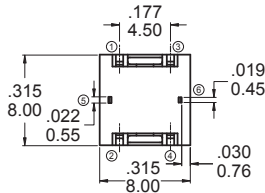
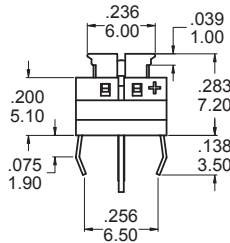
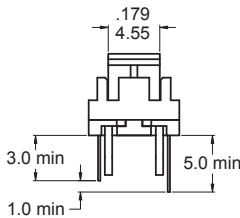


## HOW TO ORDER

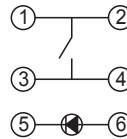
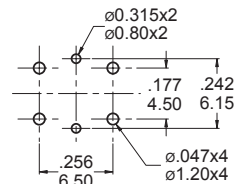


BP  
Tact Switches

## DIMENSION



### P.C. MOUNTING



CIRCUIT

## WITH LED ELECTRO-OPTICAL DATA

\* The LED specification for reference only

Lens Appearance	Color	Electro-potical Data (AT 20mA)				Peak Wavelength
		Vf (V)		Iv (mcd)		
		Typ.	Max.	Typ.	Min.	
Water Clear	Red	2.0	2.5	700	200	645
	Yellow	2.1	2.6	1400	715	590
	Blue	3.2	3.6	600	317	470