



SPECIFICATIONS

CIRCUIT: SPST

FUNCTION: MOMENTARY

CONTACT RATING: 1~50mA @ 5V~24VDC (resistive load)

OPERATING FORCE: Standard Force: 170 ± 40gf
High Force : 260 ± 50gf

TOTAL TRAVEL: 0.25 +0.2/-0.1mm

ELECTRICAL LIFE:

170gf (standare force): 500,000 operations min.

260gf (high force) : 300,000 operations min.

CONTACT RESISTANCE: 100 mΩ max. (initialvalue)

INSULATION RESISTANCE: 100 MΩ min.

DIELECTRIC STRENGTH: 500 RMS @ sea level.

OPERATING TEMPERATURE: -25°C to 70°C.

MATERIALS

CASE: PBT(UL94V-0).

HOUSING: PBT(UL94V-0).

ACTUATOR: PC

TERMINAL/CONTACT: Brass,silver plated.



HOW TO ORDER

MODEL NO. CAP SIZE CAP COLOR LED Q'TY LED COLOR CONTACT MATERIAL LED BRIGHTNESS OPERATING FORCE TEXT COMBINATIONS

KT

Cap size
0 10x10mm

Cap color

ITEM NO	COLOR
Single Color Led	
0	Transparent
1	Milky white
3	Red
4	Orange
6	Green
7	Blue
Dual Color Led	
0	Transparent
1	Milky white

Led Q'ty

ITEM NO	COLOR
Single Color Led	
0	Without Led
1	One Led
Dual Color Led	
2	Two Led

Contact material
Q Silver

Operating force
1 Standard
2 High force

Text combinations

Text combinations	LED color
Single Color Led	
0	Without text combinations
Dual Color Led	
0	Without text combinations
1	"OFF" and "ON"
2	"切" and "入" (close) (open)
3	"X" and "O"

Dual Color LED has only "B" and "G" options

Led brightness

0 Without LED
Single Color LED only
A Super Brightness

Led color

ITEM NO	COLOR
Single Color Led	
0	Without Led
1	White
3	Red
5	Yellow
6	Green
7	Blue
Dual Color Led	
B	Red+Blue
G	Red+Green
Without text combinations	
C	Yellow+Green
D	Yellow+Red
F	Blue+Green

Example:

Single Color Led: KT-0113Q-A10

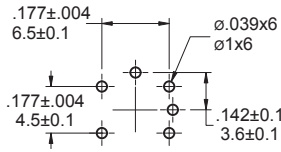
Dual Color Led:

KT-002BQ-A11(text combinations)

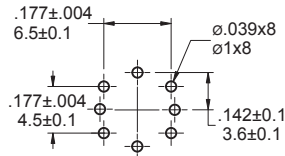
KT-002CQ-A10(Without text combinations)

P.C.B MOUNTING / CIRCUIT

P.C.B MOUNTING

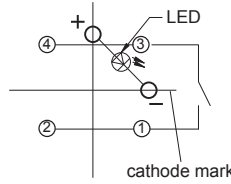


Single Color Led
TOP VIEW

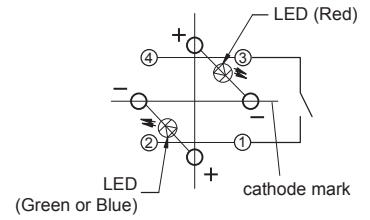


Dua Color Led
TOP VIEW

CIRCUIT



Single Color Led
TOP VIEW

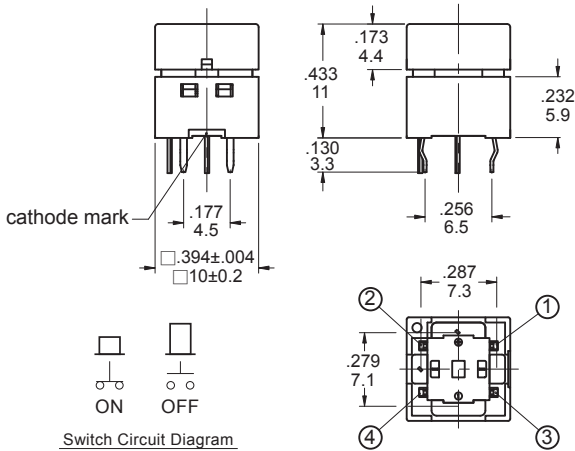
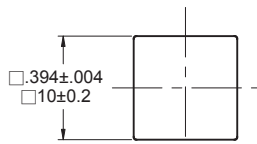


Dua Color Led
TOP VIEW

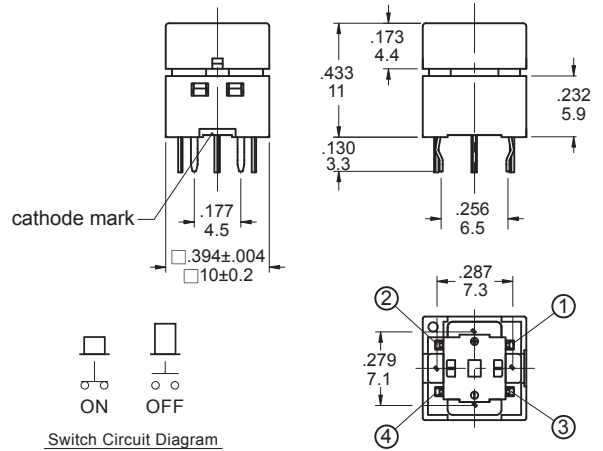
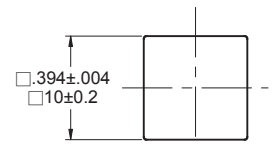
DIMENSION



Part No. Shown: KT-011□Q-A10



Part No. Shown:KT-002GQ-A13



KT
Tact Switches

WITH LED ELECTRO-OPTICAL DATA

* The LED specification for reference only

Single Color Led							
Lens Appearance	Color	Electro-optical Data(AT 20mA)				Peak wavelength (mm)	Viewing Angle 2θ 1/2 (deg)
		Vf (V)		Iv (mcd)			
		Typ.	Max.	Typ.	Min.		
Water Clear	White	3.2	3.7	270	160	X 0.25 Y 0.29	150°
	Red	2.0	2.5	95	50	635	
	Yellow	2.0	2.5	150	80	585	
	Green	3.3	3.7	280	200	520	
	Blue	3.1	3.6	50	20	460	
Dual Color Led							
Lens Appearance	Color	Electro-optical Data(AT 20mA)				Peak wavelength (mm)	Viewing Angle 2θ 1/2 (deg)
		Vf (V)		Iv (mcd)			
		Typ.	Max.	Typ.	Min.		
Water Clear	Red	2.0	2.5	95	50	635	150°
	Green	3.3	3.7	280	200	520	
	Blue	3.1	3.6	50	20	460	
	Yellow	2.0	2.5	150	80	585	