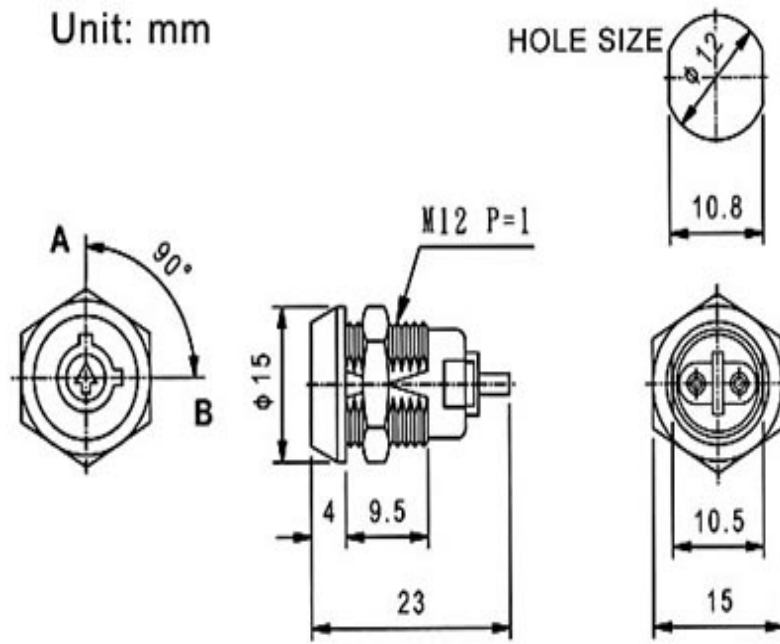


MICRO SWITCH LOCK



DESCRIPTION:

- Zinc alloy die cast housing and cylinder.
- Bright chrome plated standard.
- No pin tumbler mechanism.
- Zinc alloy tubular keys, chrome plated.
- Key withdrawals in both positions only.
- Silver plated contacts and terminals.
- 2 position (off-on) 2 terminals.
- Hex nut or speed clip mounted.
- 1 combination only.

KEY-PULL FIGURES :

- -Off Position
- ┃ -Indicates Key-Pull
- -Indicates No Key-Pull



Fig.1

Fig. No.	Lock Number	Pole	Positions	Terminals	Key Pulls	Turn	⬆	⬆	Type
1	NS102-2	1	2	2	2	90°	Off	On	SPST