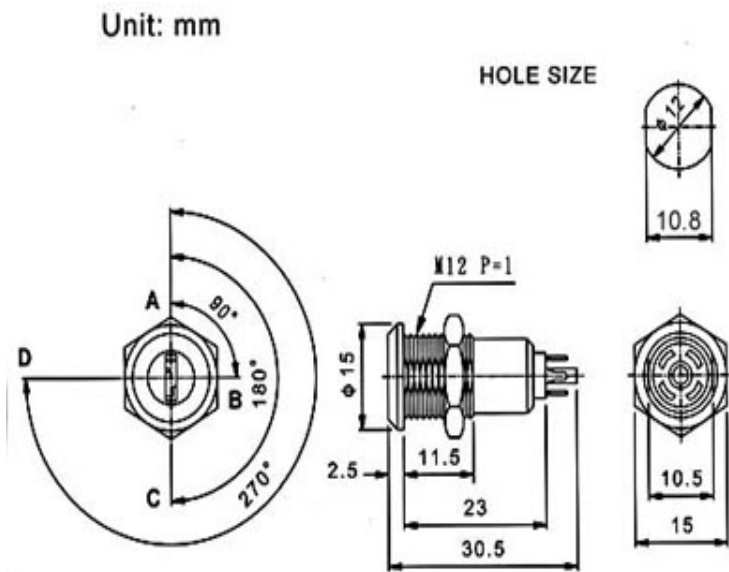


S1231

MICRO SWITCH LOCK



DESCRIPTION:

- Zinc alloy die cast housing and plastic cylinder.
- Stainless steel capped bezel.
- Bright chrome plated standard.
- 4 disc tumbler mechanism.
- Brass keys, nickel plated.
- Various key withdrawals available.
- Silver plated contacts and terminals.
- Hex nut mounted.
- All keyed alike or 20 combinations standard.
- 20 combinations available.

KEY-PULL FIGURES :

- -Off Position
- ▬ -Indicates Key-Pull
- -Indicates No Key-Pull

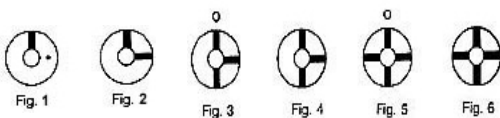


Fig. No.	Lock Number	Pole	Positions	Terminals	Key Pulls	Turn	⬆	⬇	⬇	⬆	Type
1	S1231	1	2	3	1	90 °	On	On			SPDT
2	S1232	1	2	3	2	90 °	On	On			SPDT
3	S1333	1	3	3	3	180 °	Off	On	On		SPDT
4	S1343	1	3	4	3	180 °	On	On	On		SP3T
5	S1444	1	4	4	4	270 °	Off	On	On	On	SP3T
6	S1454	1	4	5	4	270 °	On	On	On	On	SP4T