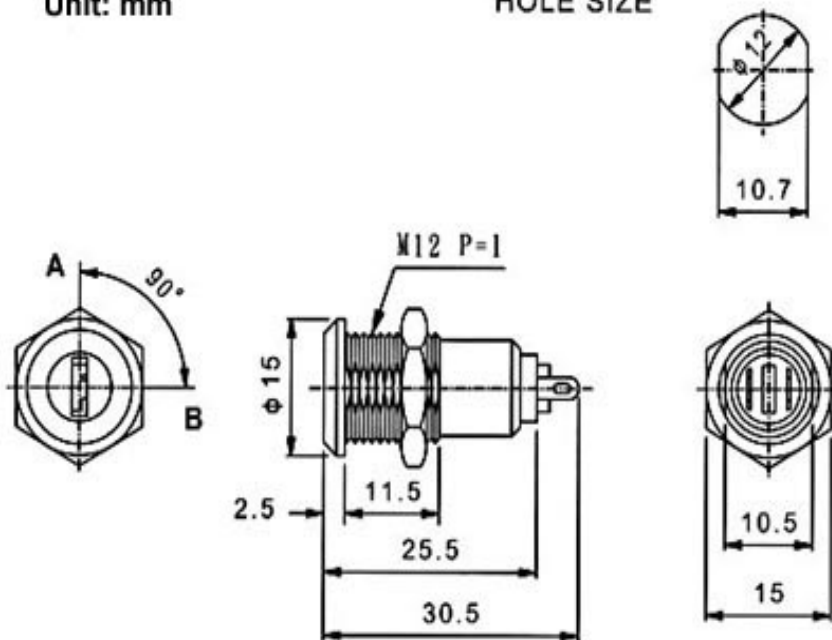


S1091B

MICRO SWITCH LOCK

Unit: mm

HOLE SIZE



DESCRIPTION:

- Zinc alloy die cast housing and plastic cylinder.
- Stainless steel capped bezel.
- Bright chrome plated standard.
- 4 disc tumbler mechanism.
- Brass keys, nickel plated.
- Key may be withdrawn in one or both positions.
- Silver plated contacts and terminals.
- S1091BA key with plastic cover.
- 2 position (off-on) 2 terminals.
- Hex nut mounted.
- All keyed alike or 20 combinations standard.
- 20 combinations available.

KEY-PULL FIGURES :

- -Off Position
- -Indicates Key-Pull
- -Indicates No Key-Pull



Fig. No.	Lock Number	Pole	Positions	Terminals	Key Pulls	Turn	⊕	⊖	Type
1	S1091B-1	1	2	2	1	90 °	Off	On	SPST
2	S1091B-2	1	2	2	2	90 °	Off	On	SPST