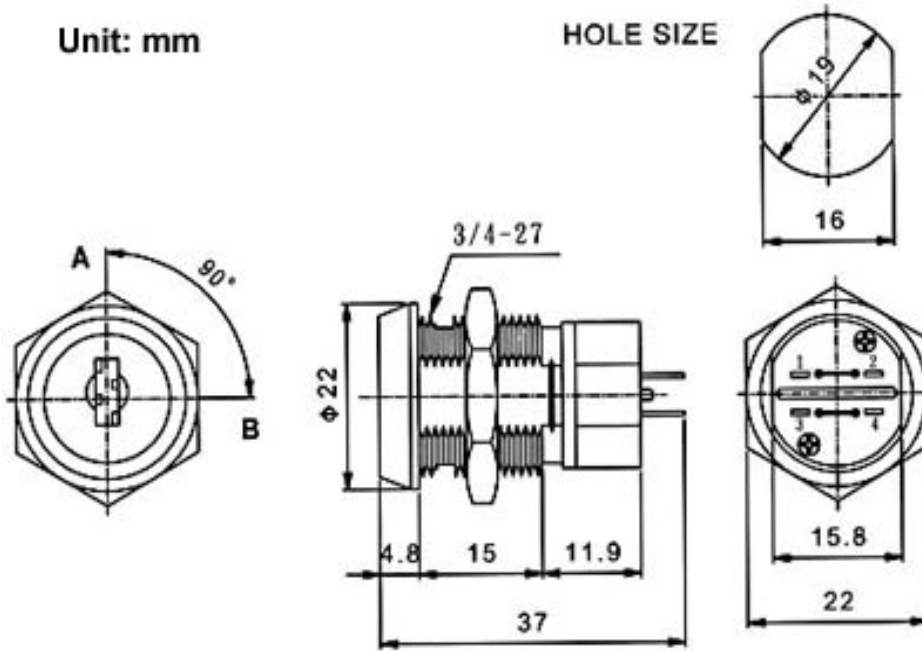


FULL SIZE LARGE FLAT SWITCH LOCK



DESCRIPTION:

- Zinc alloy die cast housing and cylinder.
- Bright chrome plated standard.
- 5 disc tumbler mechanism.
- Reversible double-bitted brass keys, nickel plated.
- Silver plated contacts and terminals.
- 2 position (off-on) 4 terminals. (2NO 2NC)
- Hex nut or speed clip mounted.
- All keyed alike or 25 combinations standard.
- 150 combinations available.

SPECIFICATIONS:

- Contact Rating: 4A 125VAC, 2A 250VAC.
- Contact Resistance: 10Milli-Ohms Max.
- Insulation Resistance: 500 Meg-Ohms Min. (500VDC)
- Dielectric Strength: 1500 VAC -1 Minute.

KEY-PULL FIGURES :

- -Off Position
- ┃ -Indicates Key-Pull
- -Indicates No Key-Pull

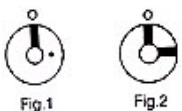


Fig. No.	Lock Number	Pole	Positions	Terminals	Key Pulls	Turn	⤴	⤵	Type
1	S286A-1	2	2	4	1	90 °	Off	On	DPST
2	S286A-2	2	2	4	2	90 °	Off	On	DPST