

**PS016 SERIES**  
LED PUSH BUTTON SWITCH



Feature -

- noiseless
- bi-color LED illuminated available
- long electrical life cycles
- long contact travel
- SPST, momentary function

Application -

- audio / video products.
- instrumentation
- communication equipments

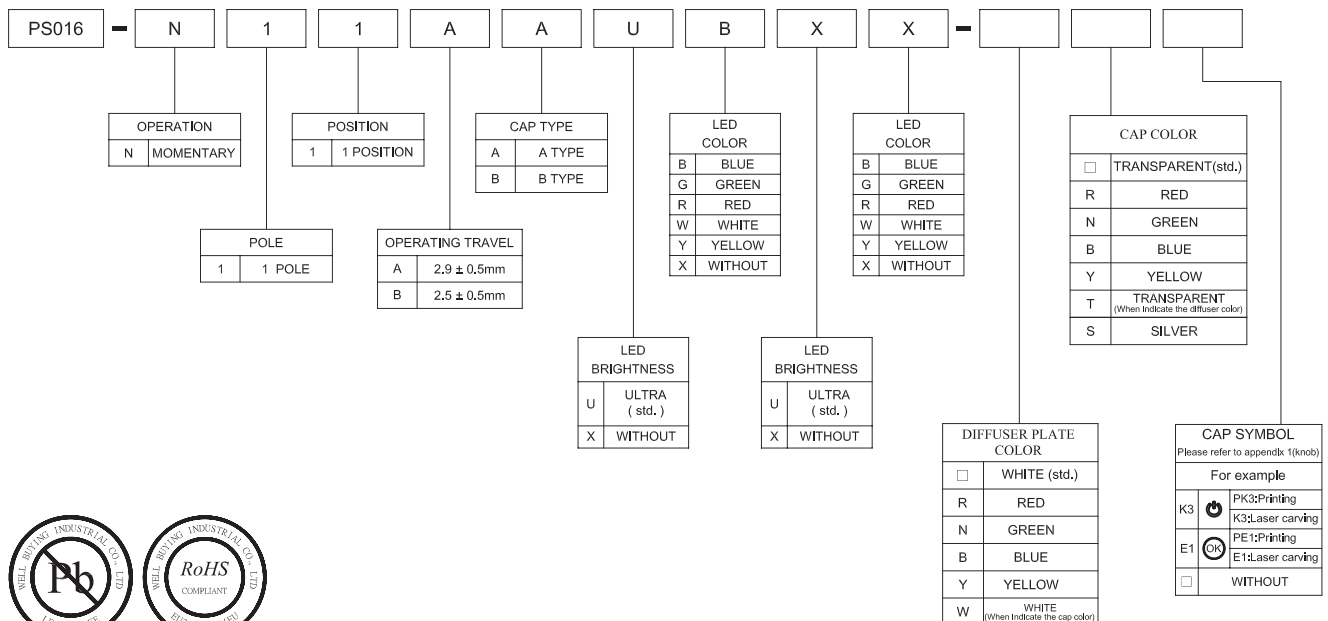
► SPECIFICATIONS

SWITCH SPECIFICATIONS	
POLE - POSITION	OFF - ON for Momentary Type , SPST
RATING	POWER : 1 Watt MAX. CURRENT : 50uA MIN. / 100mA max. VOLTAGE : DC 20V MAX.
CONTACT RESISTANCE	150 mΩ MAX.
BREAKDOWN VOLTAGE	230 V DC
INSULATION RESISTANCE	10 MΩ MIN. 500 V DC
DIELECTRIC STRENGTH	Breakdown Is not Allowable ; 500 V AC for 1 Minute
OPERATING FORCE	250 ± 50 gf
OPERATING LIFE	50,000,000 cycles
TEMPERATURE RANGE	OPERATING : -5°C ~ 60°C STORAGE : -40°C ~ 90°C
TOTAL TRAVEL	3.3 ± 0.3 mm

LED SPECIFICATIONS		Unit	Value / LED Color				
Symbol	Description		Blue	Green	Red	Yellow	
			ATTENTION LEDs are Electrostatic Sensitive devices				
	FORWARD CURRENT	If	mA	20	20	20	20
	REVERSE VOLTAGE	Vr	V	5.0	5.0	5.0	5.0
	REVERSE CURRENT	Ir	μA	50	10	10	10
	FORWARD VOLTAGE@20mA	Vf	V	3.3-4.0	2.1-2.5	2.0-2.5	2.0-2.5
	LUMINOUS INTENSITY@20mA	Iv	mcd	40	60	280	80

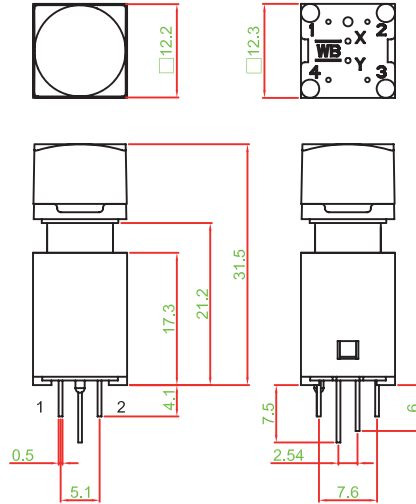
Physical and electrical information of LED will be provided upon customer's request on switches .

► HOW TO ORDER

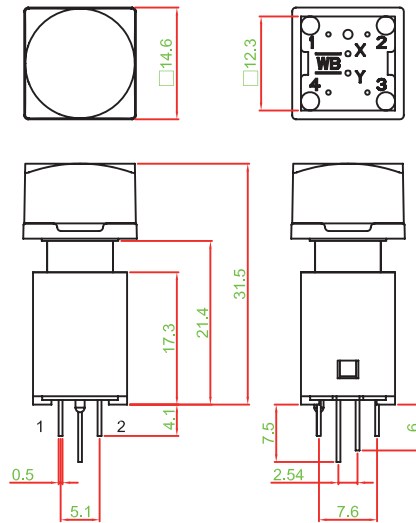


▶ DIMENSION

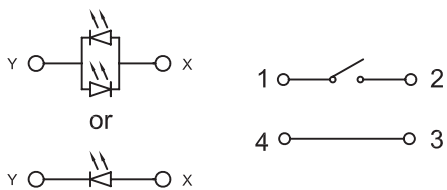
PS016 - N11AA □□□□



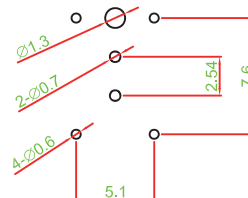
PS016 - N11AB □□□□



▶ SCHEMATIC



▶ P.C.B LAYOUT



▶ MATERIAL

- COVER : PC
- BASE FRAME : PA + GF
- ACTUATOR : POM
- TERMINAL : SILVER PLATING

	0	1	2	3	4	5	6	7	8	9	10	11	12	13	14	15	16	17	18	19	
A	0	1	2	3	4	5	6	7	8	9	10	11	12	13	14	15	16	17	18	19	
B	A	B	C	D	E	F	G	H	I	J	CH5	CH6	DSK	PIP	C-KEY	CUT	TAKE	REC	ENG	PROD	
C	K	L	M	N	O	P	Q	R	S	T	REPLAY	RET1	RET2	KEY ON	AUTO TAKE						
D	U	V	W	X	Y	Z	POWER	ON OFF	ON	OFF		USER A	USER B	USER C	USER D	USER E	USER F	USER G	USER H	USER I	
E	OK		Auto	Enter	Start	STOP	OPEN	CLOSE	Exit	Move	USER J								M-1		
F	SET	Reset	Light	Alarm	Menu	Next	Back	Delete	Motor	Save											
G	Up	Down	Right	Left	Test	End	Insert	Lock	Print	+/-											
H	ESC	BC	HOME	Health	D-LED 2	OC GENIE	VIDEO INPUT	clr CMOS	Green Power	Save OK											
I	B/R	Undo Cancel	T/L	F1	F2	F3	F4	F5	F6	F7											
J	F8	F9	F10	F11	F12	F13	F14	IN 1	IN 2	IN 3											
K	IN 4	IN 5	IN 6																		
L	+	-	x	+	=	↑	→														
M							↑	→	↑	→											
N	↑	→	↑	←	▲	▶	◀	▶	◀	▶											
O																					
P							Config.	TIME LINE	ME1	ME2											
Q	ME3	ME4	BGND 3D DVE1	BGND 3D DVE2	BUS COLOR	ME BUTTON LINK	*	INSERT	WIPE												
R	⏮	ALL		VP		COPY		RECORD MODE	↑												
S			MUTE																		
T			group																		
U			chair																		
V			OC			CLEAR	CROSS WIND	AMMO TEMP	BARO PRESS	AIR TEMP											
W	BORE-SIGHT	CANT	LEAD	RANGE	MRS	ZERO	TEST	UD	LR												
X	ID	Disp	M/F	GALL		BAND	SETUP	MODE	LINK	FUNC.											
Y	SHIFT					DEL															
Z				RUN	2D	3D	CH1	CH2	CH3	CH4											