

# RS004 SERIES

## ROTARY + LED PUSH SWITCH



Feature -  
rotary switch with center push function  
bi-color LED illuminated available

Application -  
consumer products  
audio / video products  
instrumentation  
communication equipments

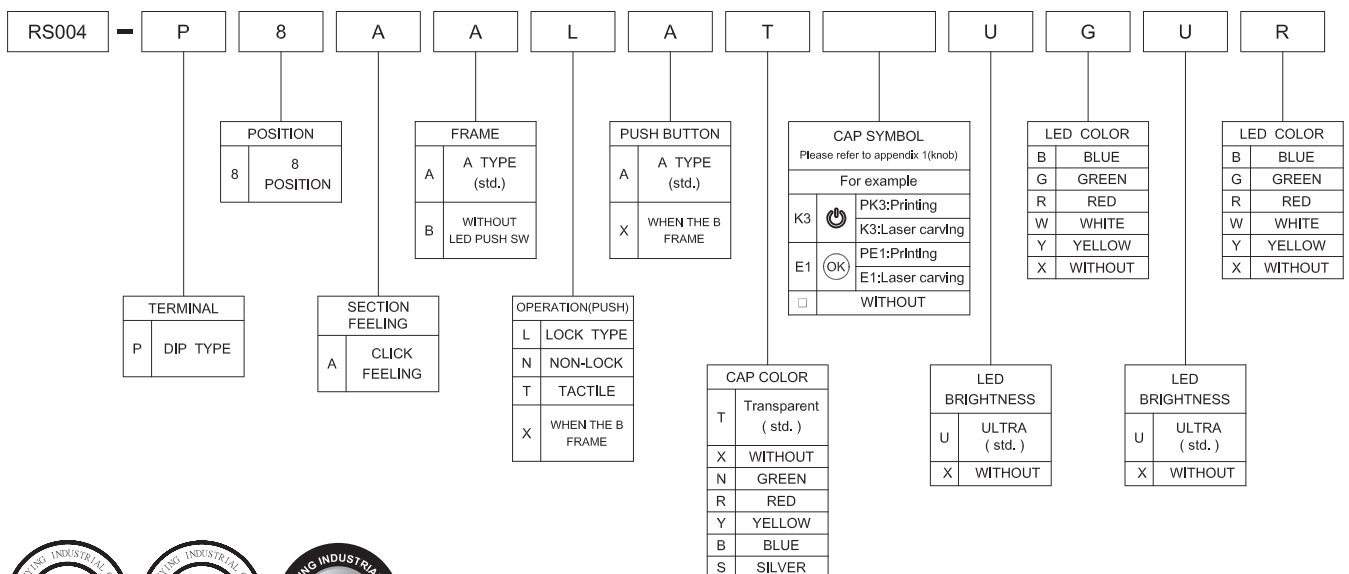
### SPECIFICATIONS

| SWITCH SPECIFICATIONS       |   |
|-----------------------------|---|
| POLE - POSITION             | ROTARY SWITCH : 1P8T<br>PUSH SWITCH : 1P2T or 2P2T          |
| CONTACT RATING              | 30 V DC , 0.1A / 5V DC , 0.1mA                              |
| CONTACT RESISTANCE          | 200 mΩ MAX. 5 V DC ; 100 mA<br>by Method of Voltage DROP    |
| INSULATION RESISTANCE       | 100 MΩ MIN . 500 V DC for 1 minute                          |
| DIELECTRIC STRENGTH         | Breakdown is not Allowable<br>100 V AC for 1 Minute         |
| OPERATING FORCE             | ROTARY SWITCH : 250 ±100 gf.cm<br>PUSH SWITCH : 250 ±100 gf |
| OPERATING LIFE              | With movement click feeling : 10,000 cycles                 |
| OPERATING TEMPERATURE RANGE | -20°C ~ 70°C  |

| LED SPECIFICATIONS |      | Value / LED Color                        |                   |         |         |                  |
|--------------------|------|--|-------------------|---------|---------|------------------|
| ATTENTION          | Unit | Blue                                     | Green             | Red     | White   | Yellow           |
|                    |      | LEDs are Electrostatic Sensitive devices |                   |         |         |                  |
| FORWARD CURRENT    | If   | mA                                       | 10                | 20      | 20      | 20               |
| REVERSE VOLTAGE    | Vr   | V  | 5.0               | 5.0     | 5.0     | 5.0              |
| REVERSE CURRENT    | Ir   | μA                                       | 10                | 10      | 10      | 10               |
| FORWARD VOLTAGE    | Vf   | V  | @ 10mA<br>3.0-4.0 | 2.1-2.5 | 2.0-2.5 | @ 2mA<br>2.8-4.0 |
| LUMINOUS INTENSITY | Iv   | mcd                                      | @ 10mA<br>200     | 800     | 1800    | @ 2mA<br>12      |

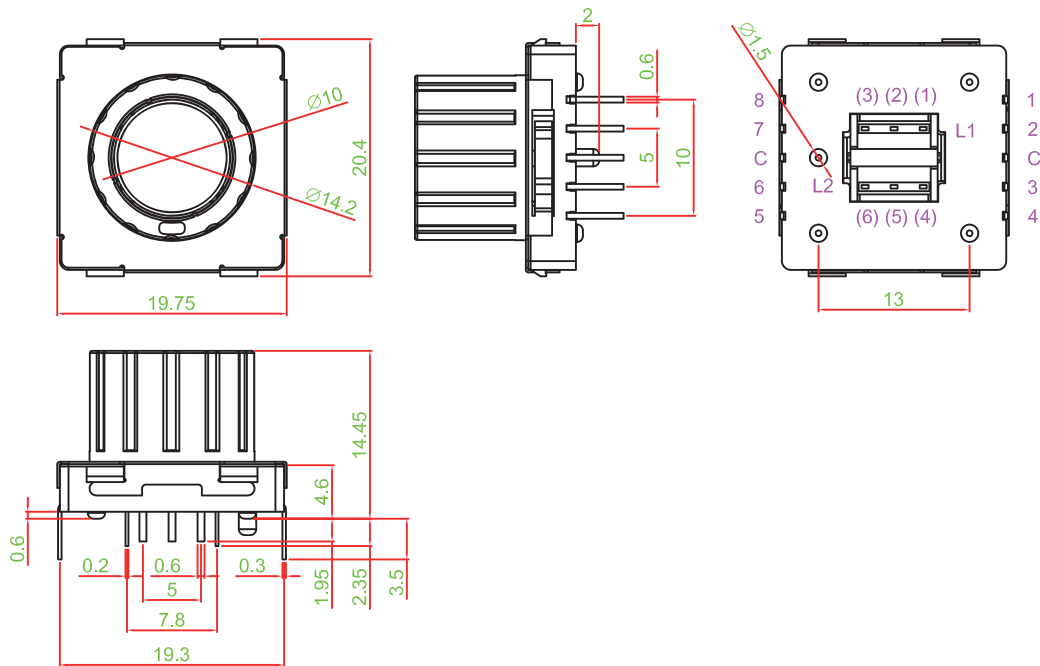
Physical and electrical information of LED will be provided upon customer's request on switches.

### HOW TO ORDER

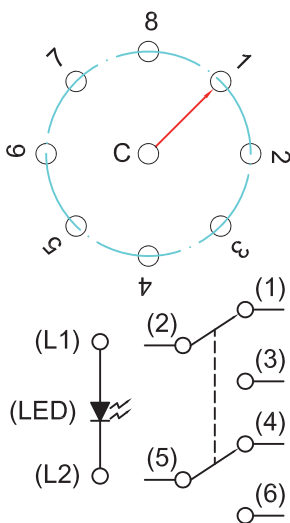


▶ DIMENSION

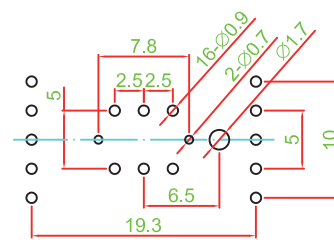
RS004-P8AALAT □ □ □ □



▶ SCHEMATIC



▶ P.C.B. LAYOUT



▶ MATERIAL

- COVER : PC
- FRAME : STAINLESS STEEL
- ACTUATOR : PA + GF
- BASE : PA + GF
- TERMINAL : BRASS ; SILVER PLATING
- MOVING CONTACT : PHOSPHOR BRONZE SILVER PLATING

# CAP SYMBOL

|   | 0          | 1     | 2            | 3            | 4         | 5              | 6           | 7           | 8           | 9        | 10     | 11     | 12     | 13     | 14        | 15     | 16     | 17     | 18     | 19     |  |
|---|------------|-------|--------------|--------------|-----------|----------------|-------------|-------------|-------------|----------|--------|--------|--------|--------|-----------|--------|--------|--------|--------|--------|--|
| A | 0          | 1     | 2            | 3            | 4         | 5              | 6           | 7           | 8           | 9        | 10     | 11     | 12     | 13     | 14        | 15     | 16     | 17     | 18     | 19     |  |
| B | A          | B     | C            | D            | E         | F              | G           | H           | I           | J        | CH5    | CH6    | DSK    | PIP    | C-KEY     | CUT    | TAKE   | REC    | ENG    | PROD   |  |
| C | K          | L     | M            | N            | O         | P              | Q           | R           | S           | T        | REPLAY | RET1   | RET2   | KEY ON | AUTO TAKE |        |        |        |        |        |  |
| D | U          | V     | W            | X            | Y         | Z              | POWER       | ON OFF      | ON          | OFF      |        | USER A | USER B | USER C | USER D    | USER E | USER F | USER G | USER H | USER I |  |
| E | OK         |       | Auto         | Enter        | Start     | STOP           | OPEN        | CLOSE       | Exit        | Move     | USER J |        |        |        |           |        |        |        | M-1    |        |  |
| F | SET        | Reset | Light        | Alarm        | Menu      | Next           | Back        | Delete      | Motor       | Save     |        |        |        |        |           |        |        |        |        |        |  |
| G | Up         | Down  | Right        | Left         | Test      | End            | Insert      | Lock        | Print       | +/-      |        |        |        |        |           |        |        |        |        |        |  |
| H | ESC        | BC    | HOME         | Health       | D-LED 2   | OC GENIE       | VIDEO INPUT | clr CMOS    | Green Power | Save OK  |        |        |        |        |           |        |        |        |        |        |  |
| I |            |       |              | F1           | F2        | F3             | F4          | F5          | F6          | F7       |        |        |        |        |           |        |        |        |        |        |  |
| J | F8         | F9    | F10          | F11          | F12       | F13            | F14         | IN 1        | IN 2        | IN 3     |        |        |        |        |           |        |        |        |        |        |  |
| K | IN 4       | IN 5  | IN 6         |              |           |                |             |             |             |          |        |        |        |        |           |        |        |        |        |        |  |
| L | +          | -     | x            | +            | =         | ↑              | →           |             |             |          |        |        |        |        |           |        |        |        |        |        |  |
| M |            |       |              |              |           |                | ↑           | →           | ↑           | →        |        |        |        |        |           |        |        |        |        |        |  |
| N | ↑          | →     | ↑            | ←            | ▲         | ▶              | ◀           | ▶           | ◀           | ▶        |        |        |        |        |           |        |        |        |        |        |  |
| O |            |       |              |              |           |                |             |             |             |          |        |        |        |        |           |        |        |        |        |        |  |
| P |            |       |              |              |           |                | Config.     | TIME LINE   | ME1         | ME2      |        |        |        |        |           |        |        |        |        |        |  |
| Q | ME3        | ME4   | BGND 3D DVE1 | BGND 3D DVE2 | BUS COLOR | ME BUTTON LINK | *           | INSERT      | WIPE        |          |        |        |        |        |           |        |        |        |        |        |  |
| R |            | ALL   |              | VP           |           | COPY           |             | RECORD MODE | ↑           |          |        |        |        |        |           |        |        |        |        |        |  |
| S |            |       | MUTE         |              |           |                |             |             |             |          |        |        |        |        |           |        |        |        |        |        |  |
| T |            |       |              |              |           |                |             |             |             |          |        |        |        |        |           |        |        |        |        |        |  |
| U |            |       | chair        | amb          | med       | amb            | store       | store       |             |          |        |        |        |        |           |        |        |        |        |        |  |
| V |            |       |              |              |           | CLEAR          | CROSS WIND  | AMMO TEMP   | BARO PRESS  | AIR TEMP |        |        |        |        |           |        |        |        |        |        |  |
| W | BORE-SIGHT | CANT  | LEAD         | RANGE        | MRS       | ZERO           | TEST        | UD          | LR          |          |        |        |        |        |           |        |        |        |        |        |  |
| X | ID         | Disp  |              | GALL         |           | BAND           | SETUP       | MODE        | LINK        | FUNC.    |        |        |        |        |           |        |        |        |        |        |  |
| Y | SHIFT      |       |              |              |           | DEL            |             |             |             |          |        |        |        |        |           |        |        |        |        |        |  |
| Z |            |       |              | RUN          | 2D        | 3D             | CH1         | CH2         | CH3         | CH4      |        |        |        |        |           |        |        |        |        |        |  |