



Feature -

- full color LED illuminated available
- long electrical life cycles
- good tactile feeling

Application -

- audio / video products
- instrumentation
- communication equipments

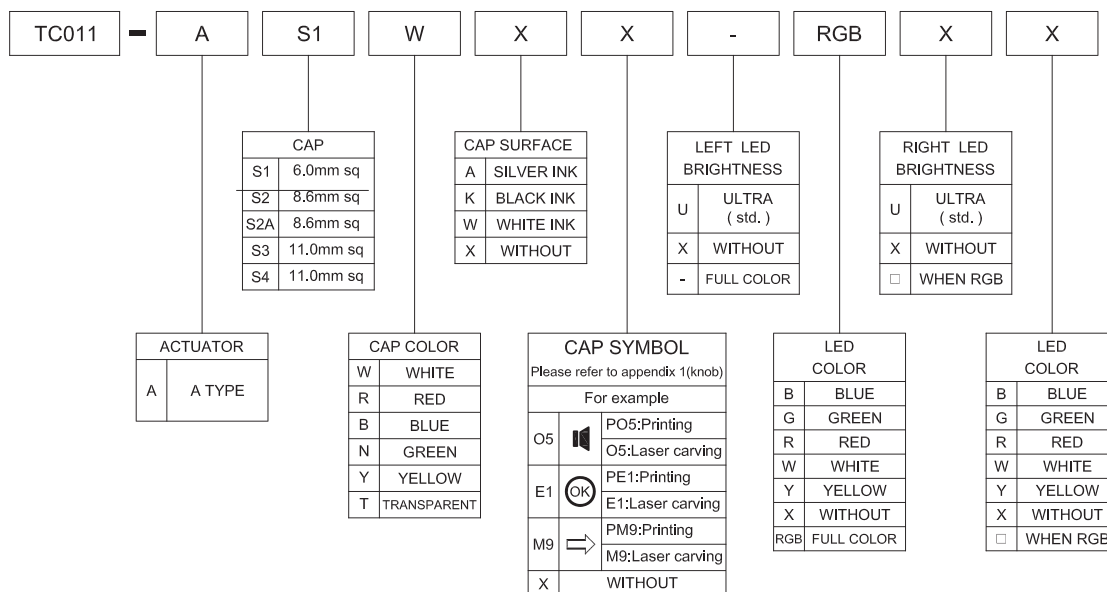
► SPECIFICATIONS

SWITCH SPECIFICATIONS	
POLE - POSITION	Momentary Type , SPST with LED
CONTACT RATING	MAX. : 1mA , 20VDC or 5mA , 5VDC MIN. : 1mA , 5VDC
CONTACT RESISTANCE	200 Ω max. 5 V DC ; 1 mA , by Method of Voltage DROP
INSULATION RESISTANCE	100 MΩ min . 100 V DC for 1 minute
DIELECTRIC STRENGTH	Breakdown Is not Allowable ; 250 V AC for 1 Minute
OPERATING FORCE	125±35 gf
OPERATING LIFE	300,000 cycles
OPERATING TEMPERATURE RANGE	-20°C ~ 70°C
TOTAL TRAVEL	1.3±0.3mm

LED SPECIFICATIONS		Value / LED Color			
ATTENTION	Unit	Blue	Green	Red	Yellow
		LEDs are Electrostatic Sensitive devices			
FORWARD CURRENT	If	20	20	20	20
REVERSE VOLTAGE	Vr	5.0	5.0	5.0	5.0
REVERSE CURRENT	Ir	10	10	10	10
FORWARD VOLTAGE@20mA	Vf	3.3-4.0	2.1-2.5	2.0-2.5	2.0-2.5
LUMINOUS INTENSITY@20mA	Iv	1300	700	900	700

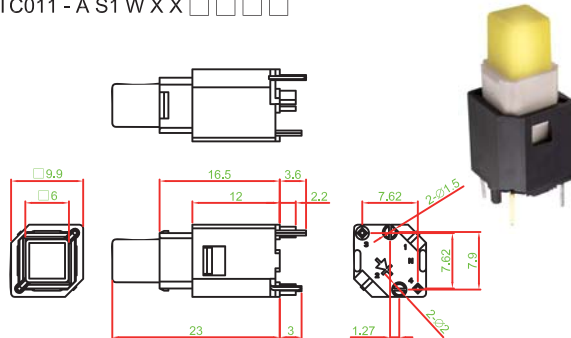
■ Physical and electrical information of LED will be provided upon customer's request on switches .

► HOW TO ORDER

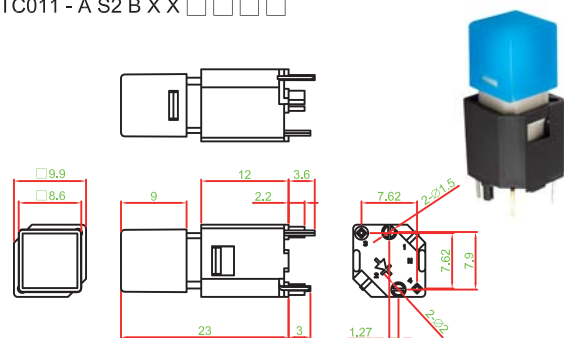


▶ **FRAME TYPE OPTION**

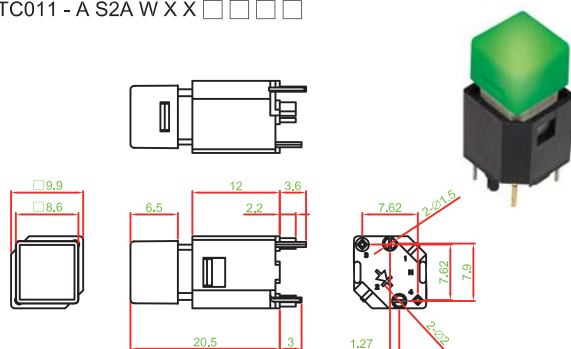
TC011 - A S1 W X X □ □ □ □



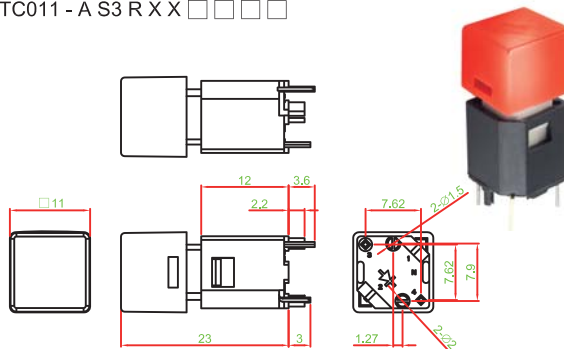
TC011 - A S2 B X X □ □ □ □



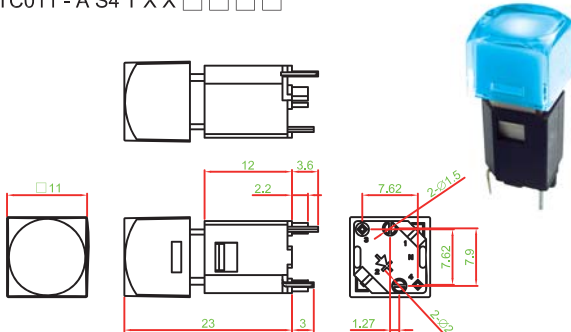
TC011 - A S2A W X X □ □ □ □



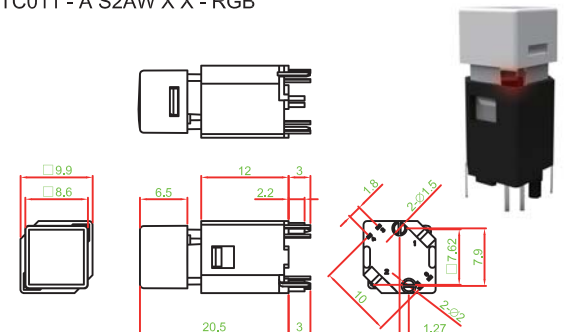
TC011 - A S3 R X X □ □ □ □



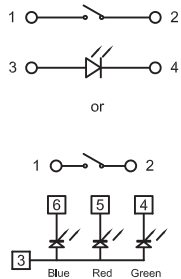
TC011 - A S4 T X X □ □ □ □



TC011 - A S2AW X X - RGB

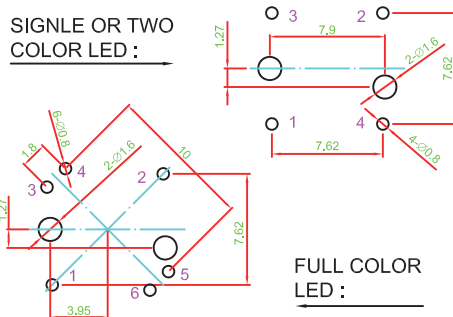


▶ **CIRCUIT**



▶ **P.C.B LAYOUT**

SIGNLE OR TWO  
COLOR LED :



FULL COLOR  
LED :

▶ **MATERIAL**

- CAP : PC
- ACTUATOR : PA + GF
- BASE FRAME : PA + GF
- TERMINAL : BRASS  
GOLD PLATING

	0	1	2	3	4	5	6	7	8	9	10	11	12	13	14	15	16	17	18	19	
A	0	1	2	3	4	5	6	7	8	9	10	11	12	13	14	15	16	17	18	19	
B	A	B	C	D	E	F	G	H	I	J	CH5	CH6	DSK	PIP	C-KEY	CUT	TAKE	REC	ENG	PROD	
C	K	L	M	N	O	P	Q	R	S	T	REPLAY	RET1	RET2	KEY ON	AUTO TAKE						
D	U	V	W	X	Y	Z	POWER	ON OFF	ON	OFF		USER A	USER B	USER C	USER D	USER E	USER F	USER G	USER H	USER I	
E	OK		Auto	Enter	Start	STOP	OPEN	CLOSE	Exit	Move	USER J								M-1		
F	SET	Reset	Light	Alarm	Menu	Next	Back	Delete	Motor	Save											
G	Up	Down	Right	Left	Test	End	Insert	Lock	Print	+/-											
H	ESC	BC	HOME	Health	D-LED 2	OC GENIE	VIDEO INPUT	clr CMOS	Green Power	Save OK											
I	B/R	Undo Cancel	T/L	F1	F2	F3	F4	F5	F6	F7											
J	F8	F9	F10	F11	F12	F13	F14	IN 1	IN 2	IN 3											
K	IN 4	IN 5	IN 6																		
L	+	-	x	+	=	↑	→														
M																					
N	↑	→	↑	←	▲	▶	◀	▶	◀	▶											
O	■		↔	◊	◊																
P				x	✓		Config.	TIME LINE	ME1	ME2											
Q	ME3	ME4	BGND 3D DVE1	BGND 3D DVE2	BUS COLOR	ME BUTTON LINK	*	INSERT	WIPE												
R	⏮	ALL		VP		COPY		RECORD MODE	↑												
S		♥	MUTE																		
T																					
U			chair	amb	med	amb	store	store													
V			OC			CLEAR	CROSS WIND	AMMO TEMP	BARO PRESS	AIR TEMP											
W	BORE-SIGHT	CANT	LEAD	RANGE	MRS	ZERO	TEST	UD	LR												
X	ID	Disp	MF	GALL	.	BAND	SETUP	MODE	LINK	FUNC.											
Y	SHIFT					DEL															
Z				RUN	2D	3D	CH1	CH2	CH3	CH4											